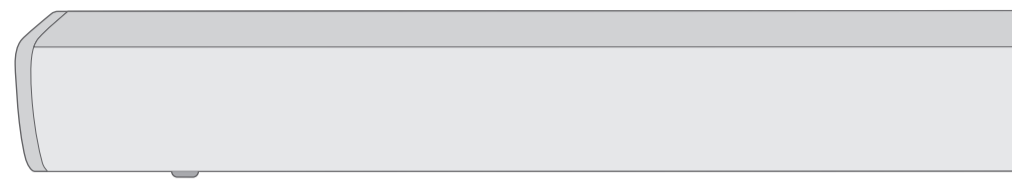




DREAM · EXPLORE · INSPIRE

MPOW SOUNDHOT B6

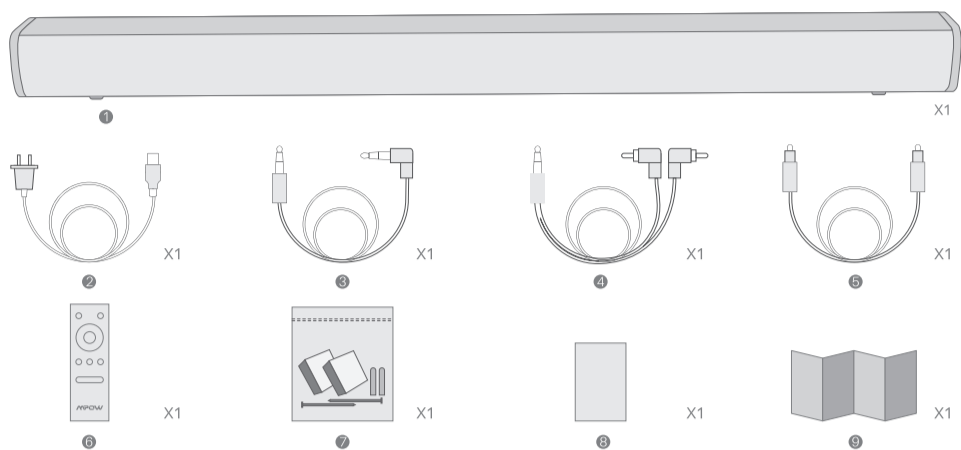
SOUNDBAR



User Manual

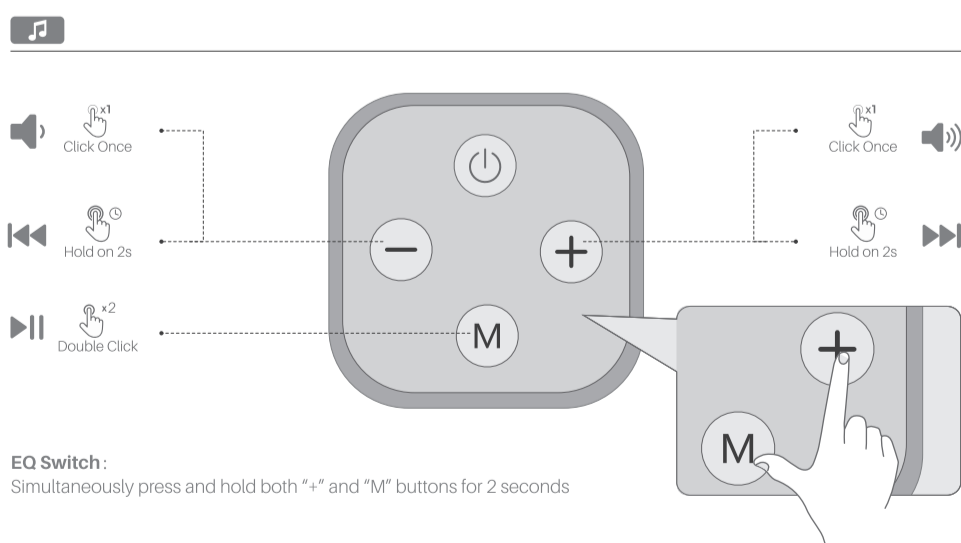
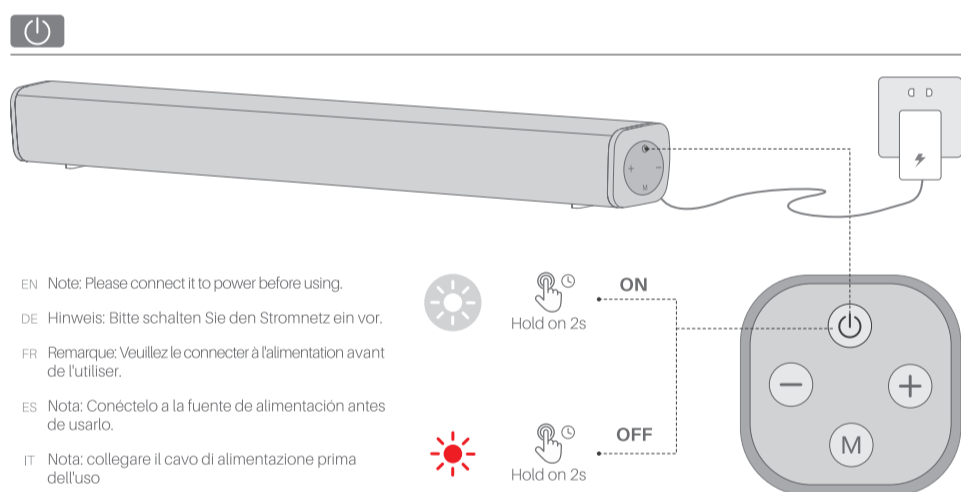
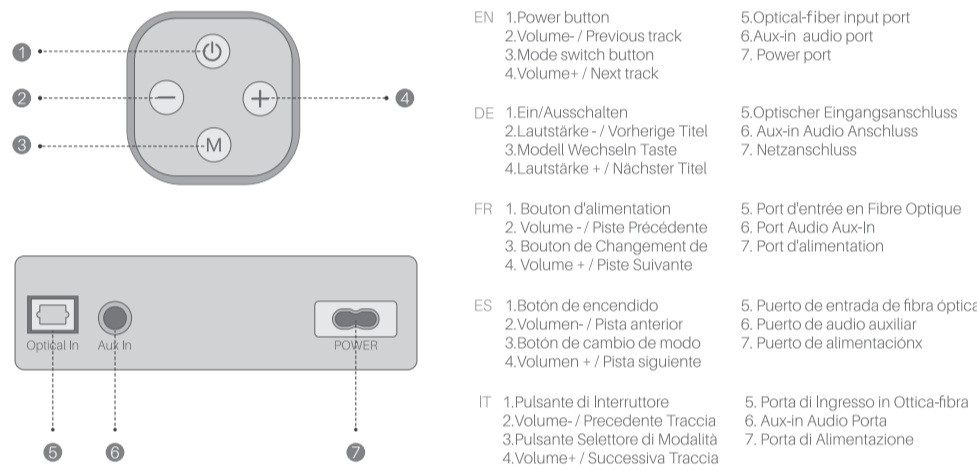
MODEL: BH474A

Packing List



- | | | | |
|--|--|--|--|
| <p>EN 1. Mpow Soundhot B6
2. Power supply cord set
3. 3.5mm audio cable
4. 3.5mm to 2-male RCA cable
5. Optical-fiber cable</p> | <p>6. Remote control
7. Wall mount accessories
8. Thank-you card
9. User manual</p> | <p>DE 1. Mpow Soundhot B6
2. Netzkabel
3. 3.5mm Audio Kabel
4. 3.5mm AUX zu RCA Kabel
5. Optischer Kabel</p> | <p>6. Fernbedienung
7. Wand Aufhängen Zubehör
8. Dankeskarte
9. Bedienungsanleitung</p> |
| <p>FR 1. Mpow Soundhot B6
2. Ensemble de Cordon d'alimentation
3. Jack de 3,5mm
4. Câble RCA 3,5 mm à 2 Mâles
5. Câble à Fibre Optique</p> | <p>6. La Télécommande
7. Accessoires de Support Mural
8. Carte de remerciements
9. Manuel d'instructions</p> | <p>ES 1. Mpow Soundhot B6
2. L. Ausstärke - / Vorherige Titel
3. Modell Wechsln Taste
4. Lautstärke + / Nächster Titel</p> | <p>6. Control remoto
7. Accesorios de montaje en pared
8. Tarjeta de agradecimiento
9. Manual de Usuario</p> |
| <p>IT 1. Mpow Soundhot B6
2. Gruppo di cavi di alimentazione
3. 3.5 mm audio cavo
4. 3.5 mm da 2-maschi RCA Cavo
5. Ottica-fibra Cavo</p> | <p>6. Telecomando
7. Accessori per montaggio a parete
8. Nota di ringraziamento
9. Manuale dell'utente</p> | | |

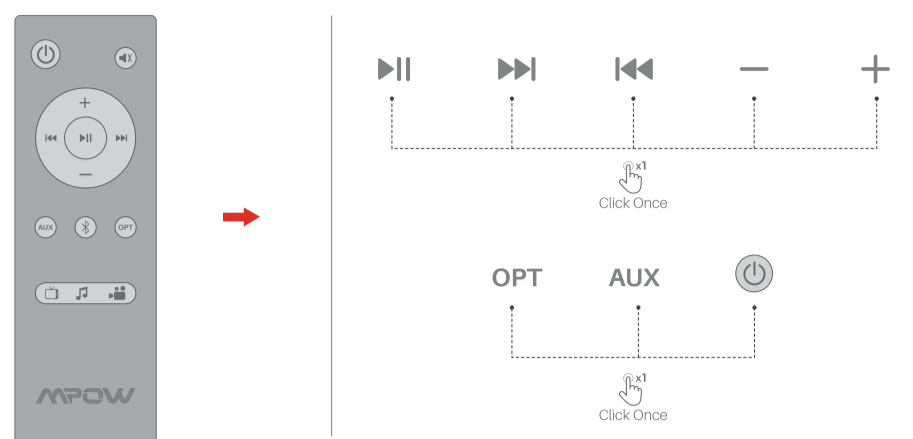
Diagram



NOTE: TV Audio Output Setting Is Required

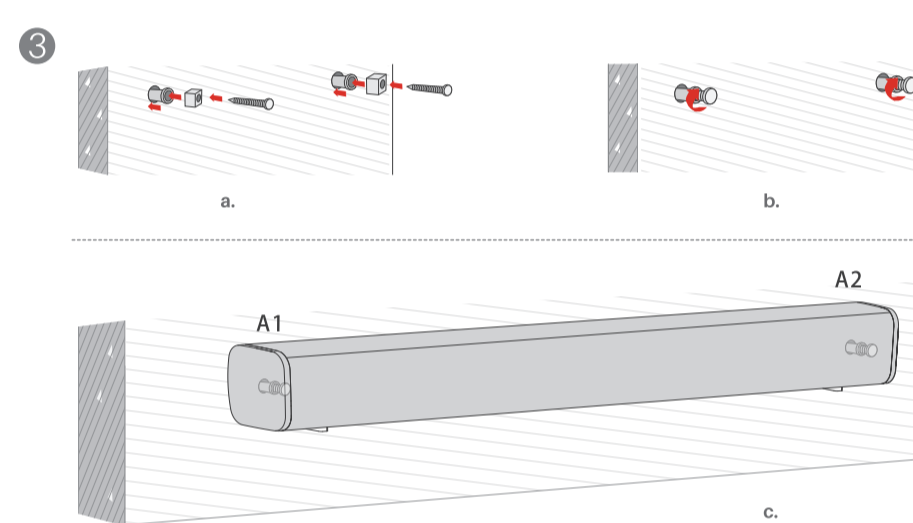
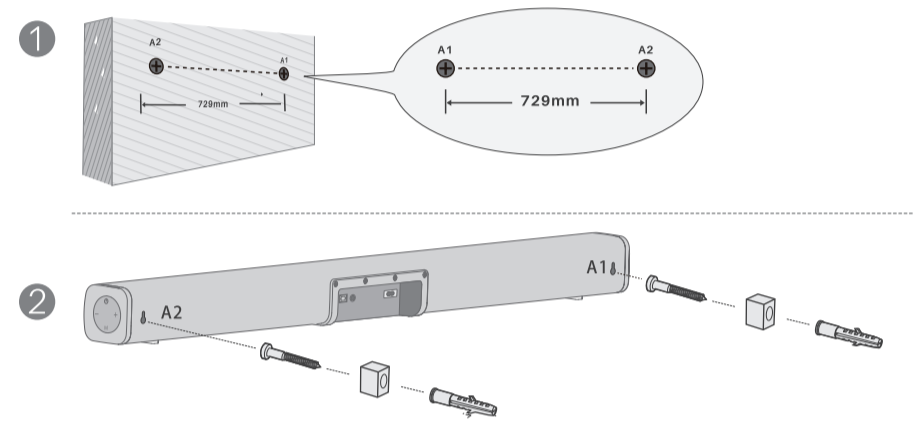
- EN When you connect the Soundbar with a TV, please make sure you have set your TV audio to support "external speakers" and disable the built-in TV speakers.
- DE Wenn Sie die Soundbar mit Fernsehen verbinden, bitte bestätigen Sie sich, dass das Fernsehen Audio mit "externe Lautsprecher" unterstützt ist, und den eingebauten TV Lautsprecher deaktiviert ist.
- FR Lorsque vous connectez la Soundbar à un téléviseur, assurez-vous que le son de votre téléviseur prend en charge les "haut-parleurs externes" et désactivez les haut-parleurs intégrés du téléviseur.
- ES Cuando conecta la barra de sonido a un televisor, asegúrese de haber configurado el audio de su televisor para admitir "altavoces externos" y deshabilite los altavoces integrados del televisor.
- IT Quando si collega la Soundbar a una TV, assicurarsi di aver impostato l'audio della TV in modo da supportare "altoparlanti esterni" e disabilitare gli altoparlanti TV integrati.

Remote Control / Fernbedienung / La Télécommande / Control remote / Telecomando



- | | | |
|----------------------|---|--|
| <p>1. Click Once</p> | <p>EN 1. Broadcast Mode (Voice Mode)
2. Movie mode
3. Music mode
4. Reconnection mode
5. Pairing mode</p> | <p>DE 1. Nachrichten Modi (Stimme Modi)
2. Film Modi
3. Musik Modi
4. Wiederverbindung Modi
5. Verbindung Modi</p> |
| <p>2. Click Once</p> | <p>FR 1. Mode de Diffusion (Mode Voix)
2. Mode vidéo
3. Mode musique
4. Mode de reconnexion
5. Mode d'appariement</p> | <p>ES 1. Modo de Transmisión (Modo de Voz)
2. Modo de película
3. Modo de música
4. Modo de reconexión
5. Modo de emparejamiento</p> |
| <p>3. Click Once</p> | <p>IT 1. Modalità di Trasmissione (modalità vocale)
2. Modalità di film
3. Modalità di musica
4. Modalità di ricollegamento
5. Modalità di associazione</p> | |
| <p>4. Click Once</p> | | |
| <p>5. Hold on 2s</p> | | |

Wall Mounting Guide / Anleitung zur Wandaufhängen / Guide de Support Mural / Guía de montaje en pared / Guida al Montaggio a Parete



- EN 1. Mark the location on the wall. Choose the mounting height and mark A1; Mark A2 on the right of A1 on the same horizontal line; The distance between the 2 spots should be 729mm exactly.
2. Drill the holes. Drill the holes in the marked position.
3. Install the speaker. Insert the wall plugs in the holes; Tighten the screws into the holes through the foam pads; Hang the speaker on the screws.
- DE 1. Das Zeichen an der Wand markieren. Wählen Sie die geeignete Höhe und markieren Sie A1. Markieren Sie A2 rechts von A1 auf derselben geicher Höhe. Der Abstand zwischen den beiden Punkten sollte genau 729 mm betragen.
2. Löcher bohren. Bohren Sie die Löcher auf den markierte Punkte.
3. Die Soundbar installieren. Stecken Sie die Schraube in die Löcher. Ziehen Sie die Schrauben in den Löchern durch die Schaumstoffpolster an. Hängen Sie die Soundbar an die Schrauben auf.
- FR 1. Marquer l'emplacement sur le mur. Choisissez la hauteur de montage et marquez A1; Marquez A2 à droite de A1 sur la même ligne horizontale; La distance entre les 2 spots doit être de 729 mm exactement.
2. Percez les Trous. Percez les trous dans les positions marquées.
3. Installez le Haut-parleur. Insérez les chevilles dans les trous; Serrez les vis dans les trous à travers les coussinets en mousse; Accrochez le haut-parleur sur les vis.

- ES 1. Marca la ubicación en la pared. Elija la altura de montaje y marque A1; Marque A2 a la derecha de A1 en la misma línea horizontal; La distancia entre los 2 puntos debe ser exactamente de 729 mm.
2. Taladrar los agujeros. Taladre los agujeros en las posiciones marcadas.
3. Instale el altavoz. Inserte los enchufes de pared en los agujeros; Apriete los tornillos en los agujeros a través de las almohadillas de espuma; Cuelgue el altavoz en los tornillos.
- IT 1. Contrassegnare la posizione sul muro. Scegliere l'altezza di montaggio e segnare A1; Segnare A2 a destra di A1 sulla stessa linea orizzontale; La distanza tra i 2 punti dovrebbe essere esattamente di 729mm.
2. Praticare i fori. Praticare i fori nella posizione contrassegnata.
3. Installare l'altoparlante. Inserire i tasselli nei fori. Stringere le viti nei fori attraverso i cuscinetti di schiuma; Appendere l'altoparlante alle viti;

FCC Statement

Any Changes or modifications not expressly approved by the party responsible for compliance could void the user's authority to operate the equipment. This device complies with part 15 of the FCC Rules. Operation is subject to the following two conditions: (1) This device may not cause harmful interference, and (2) this device must accept any interference received, including interference that may cause undesired operation.

Correct Disposal of This Product

(Waste Electrical & Electronic Equipment)
This Marking shown on the product or its literature, indicate that it should not be disposed with other household wastes at the end of its working life. To prevent possible harm to the environment or human health from uncontrolled waste disposal, please separate this from other types of wastes and recycle it responsibly to promote the sustainable reuse of material resources. Household user should contact either the retailer where they purchased this product, or their local government office, for details of where and how they can take this item for environmentally safe recycling. Business users should contact their supplier and check the terms and conditions of the purchase contract. This product should not be mixed with other commercial wastes for disposal.